



LED Minor Surgery Lamp

Mounted Type: Mobile with detachable base

Model: KS-Q10-02A

Material: Aluminium spring arm with spray-coating metal mobile

Weight of Base: 6.8KGS heavy base

Weight of Top parts: 1.65KGS (lamphead&arm)

Light intensity: 66000lx(D=60cm)
46000lx(D=100cm)

Diameter of lamphead: 26x23cm

Length of arm: 1085 cm

Color temperature: 4000-5000K

Brightness adjustment: control by touch sensitive

Light field diameter: 20cm at D=100cm

Light source: 10 LEDs

LED average life: 50000 hours

Power consumption: 12W

Input Voltage: 110V-265V 50/60Hz Multi-adaptor

Available configuration: Mobile, Wall, Ceiling, Rail clamp



IR-free technology from LED light source reduces the sensation of heat for the patient and doctor

LED service life 40 times longer than Halogen bulb

Provides "daylight" illumination for truer tissue color rendition and easier diagnosis and treatment.

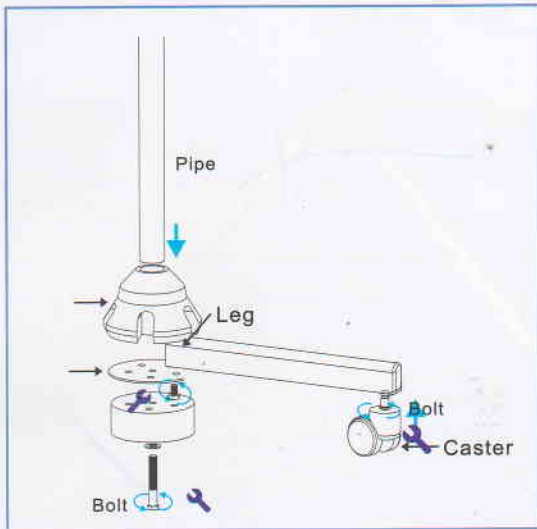
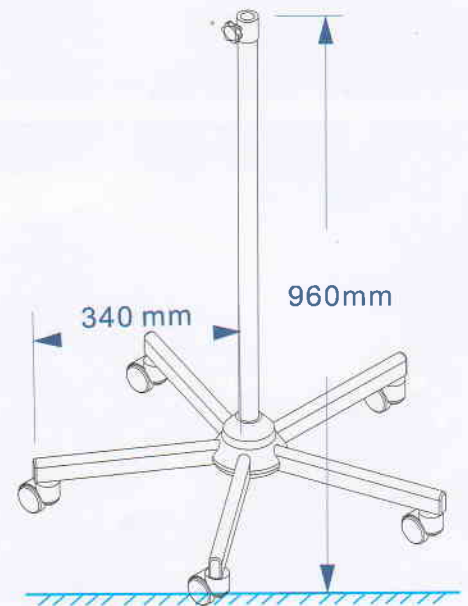
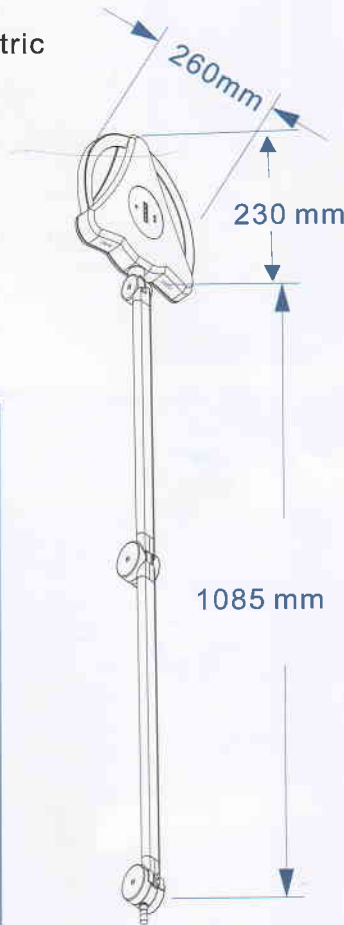
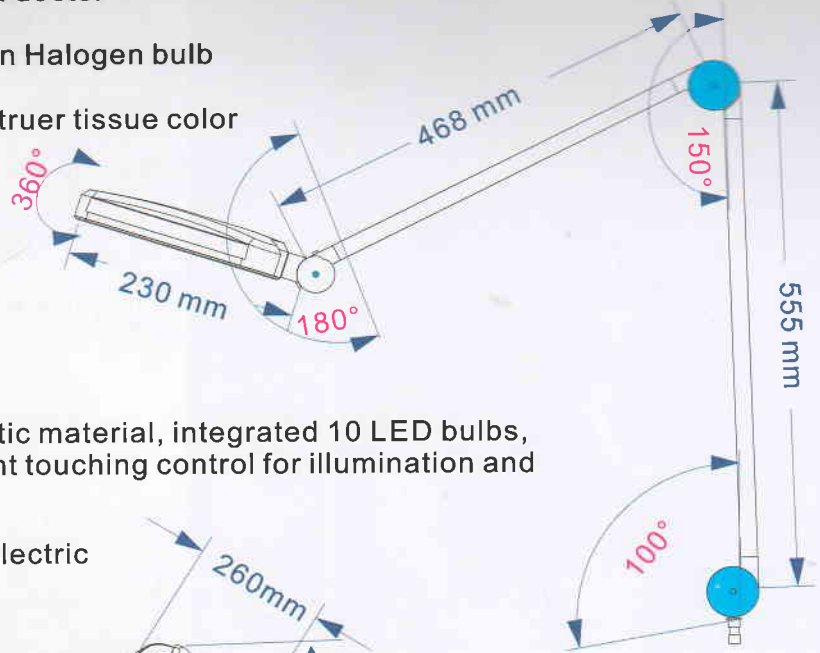
Color temperature can be adjusted for optimal contrast sensitivity

Light and strong lamphead-----Plastic material, integrated 10 LED bulbs, 360 degree turn over. Full digital light touching control for illumination and color temperature.

Full aluminium arm----- Brushing&electric oxidation surface

Spring balance Friction Joint----- perfect position

Detachable mobile system----- White spray coating metal vertical pipe and mobile base



clear + brilliant

